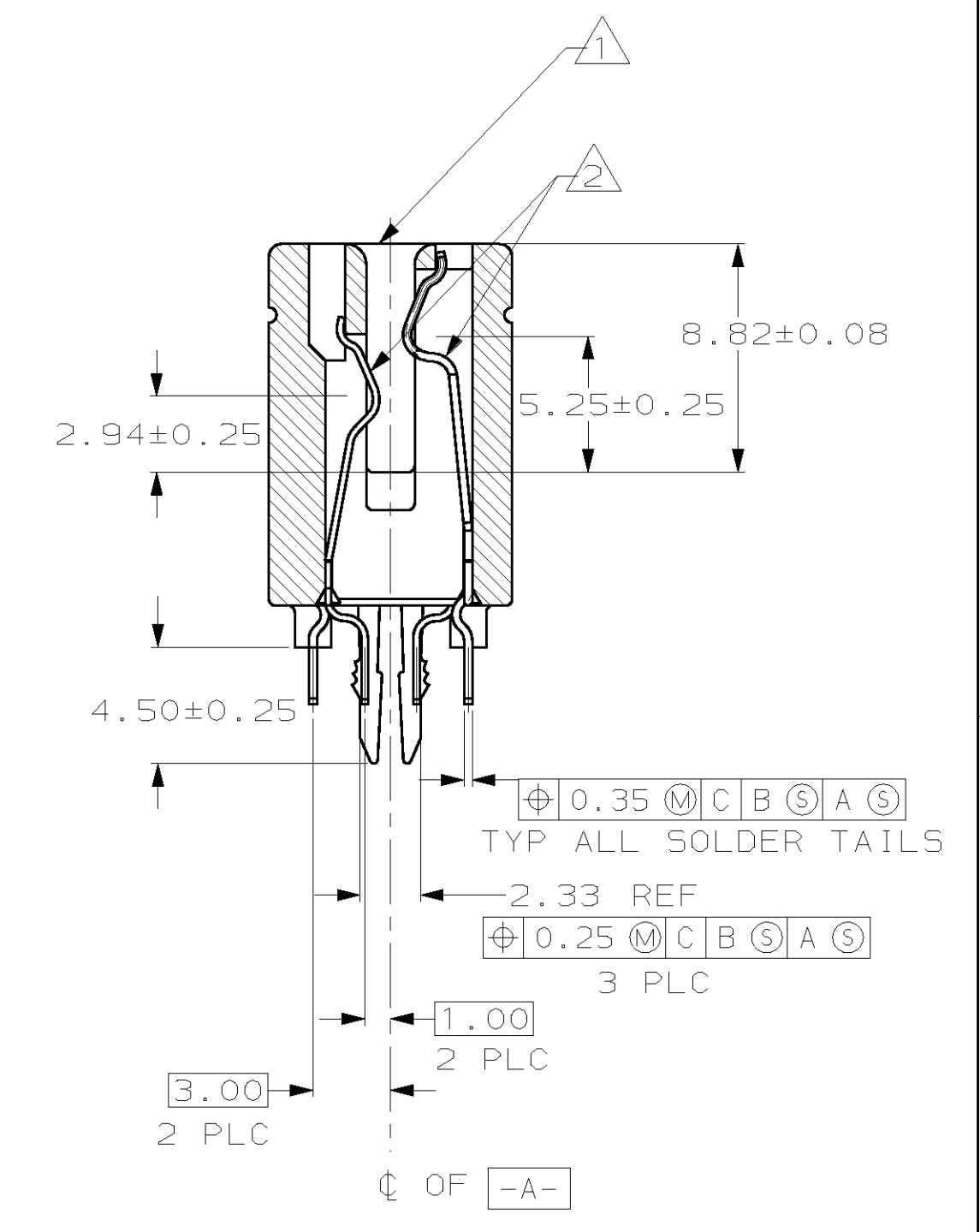
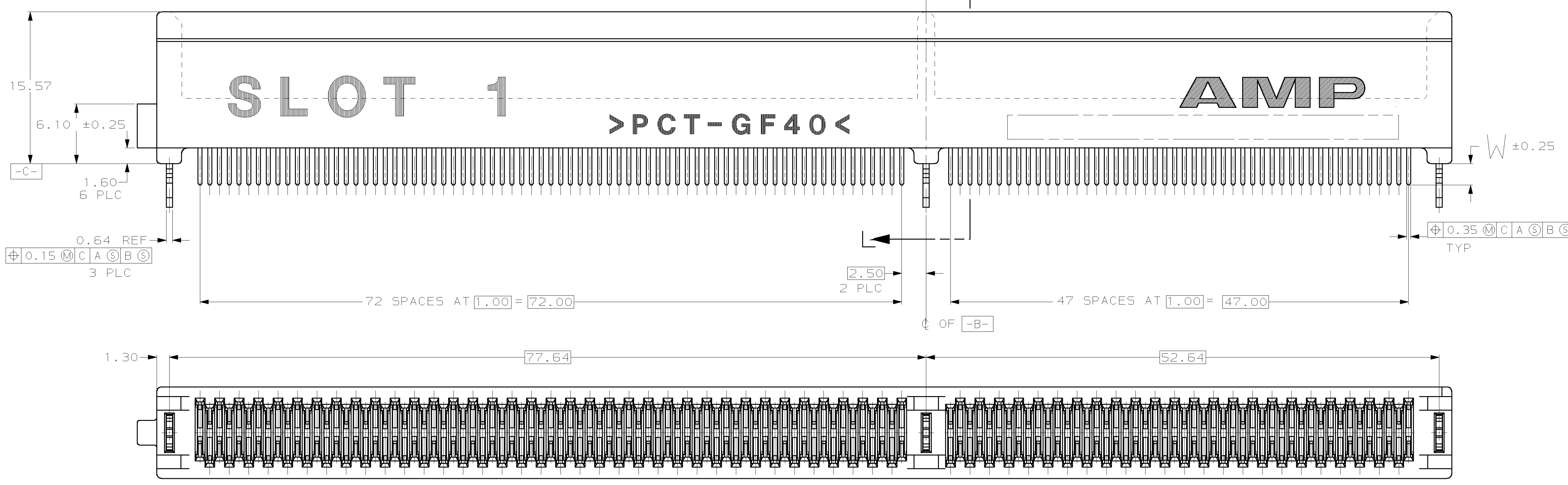
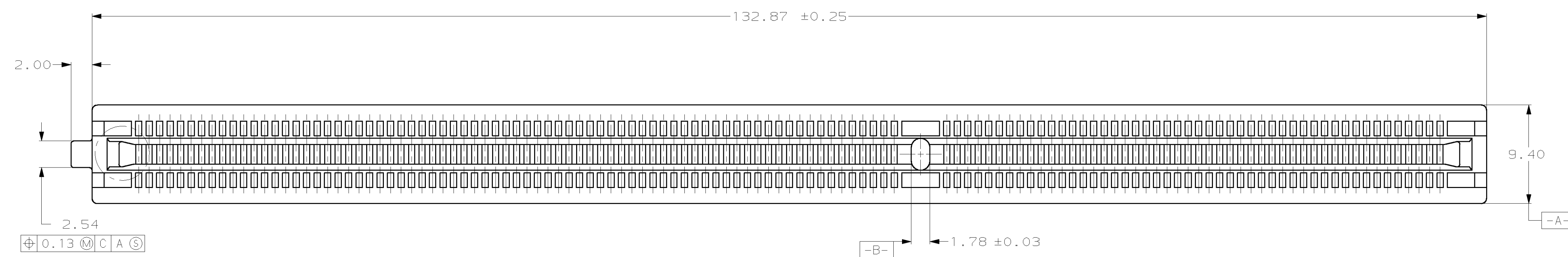


LOC	DIST	REV	DATE	BY	CHK	APPV
AD	14					

REVISIONS						
REV	DATE	BY	CHK	APPV	DESCRIPTION	
0	1/6/97	RB	MB		PRODUCT RELEASE	
A	5/15/97	RB	MB		REVISED PER 0430-0163-97	
B	6/3/97	RB	MB		REVISED PER 0430-0204-97	
C	8/14/97	RB	MB		REVISED PER 0430-0286-97	
D	7/15/98	RB	DD		REVISED PER 0651-0101-98	
E	8/4/98	RB	DD		REVISED PER 0651-0107-98	
F	01/17/99	MM	EL		REV PER EC 0651-0226-98	
G	01/20/99	MM	DD		REV PER EC 0651-0294-98	
H	05/17/99	MM	EL		REV PER 0651-0062-99	



- 1 MATERIAL: HOUSING, THERMOPLASTIC, COLOR: BROWN.
CONTACTS, PHOSPHOR BRONZE.
HOLD-DOWNS, BRASS.
- 2 FINISH: CONTACTS, 1.27 MIN. MICROMETERS NICKEL ALL OVER,
0.38 MIN. MICROMETERS GOLD OVER NICKEL IN CONTACT AREA,
- 3 FINISH: 2.54 MIN MICROMETERS TIN-LEAD OVER NICKEL ON SOLDER TAILS.
- 4 FINISH: CONTACTS, 1.27 MIN. MICROMETERS NICKEL ALL OVER,
0.0254-0.0762 MICROMETERS GOLD OVER NICKEL IN CONTACT AREA.
2.54 MIN. MICROMETERS TIN-LEAD OVER NICKEL ON SOLDER TAILS.

3.18	145251-6
2.54	145251-5
3.18	145251-3
2.54	145251-2
2.16	145251-1
PLATING	W
	PART NO

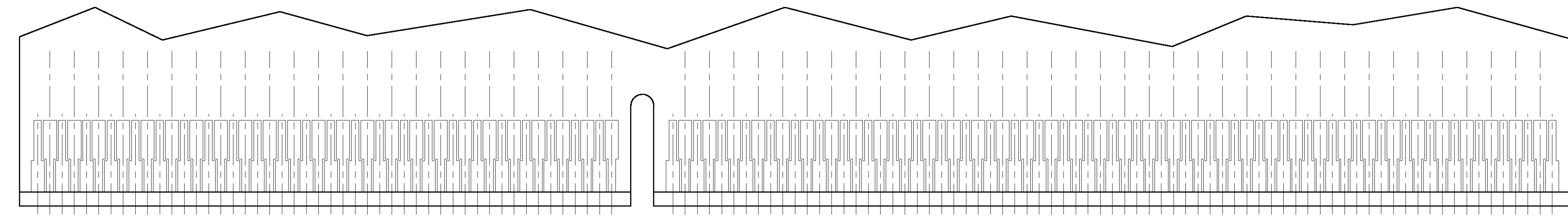
THIS DRAWING IS A CONTROLLED DOCUMENT.

DIMENSIONS:	TOLERANCES UNLESS OTHERWISE SPECIFIED:	DWN	R BROWN	1/6/97
mm	0 PLC ±-	CHK	M BOWERS	1/6/97
	1 PLC ±0.13	APPV	D SARVER	1/6/97
	2 PLC ±-	PRODUCT SPEC		
	3 PLC ±-	APPLICATION SPEC		
	4 PLC ±-	SIZE	A1	00779
	ANGLES	WEIGHT		
		CUSTOMER DRAWING		

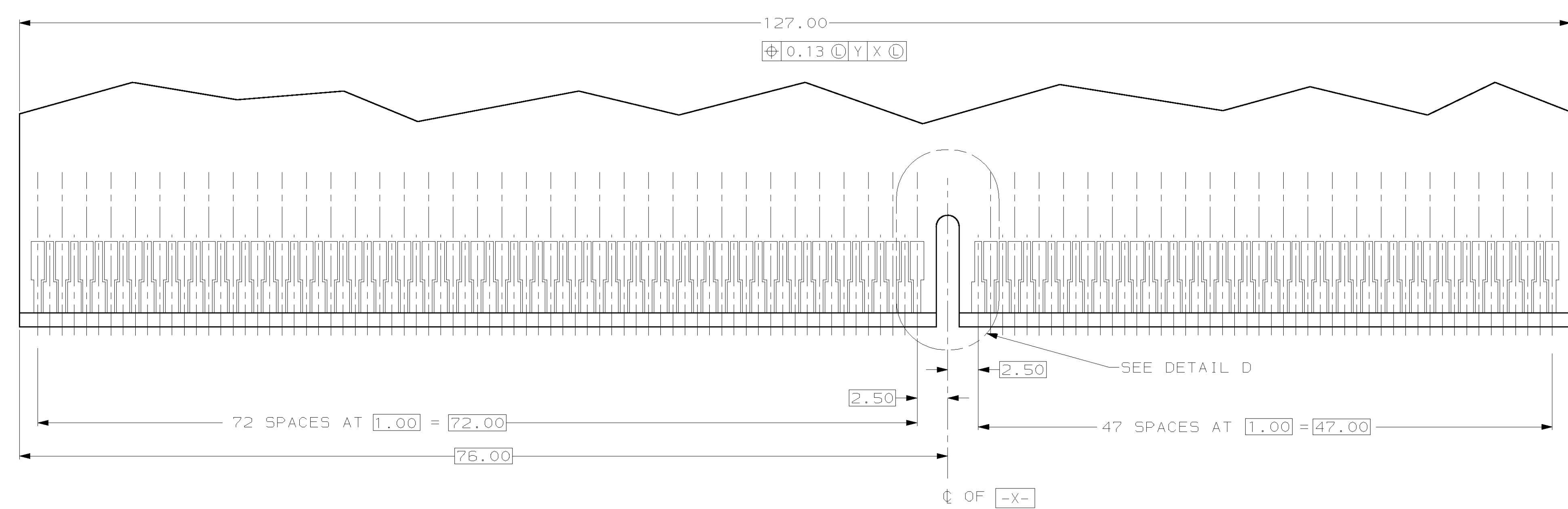
AMP Incorporated
 Harrisburg, PA 17105-3608

AMP, 1mm ϕ STANDARD EDGE ASSEMBLY, 242 POSITION

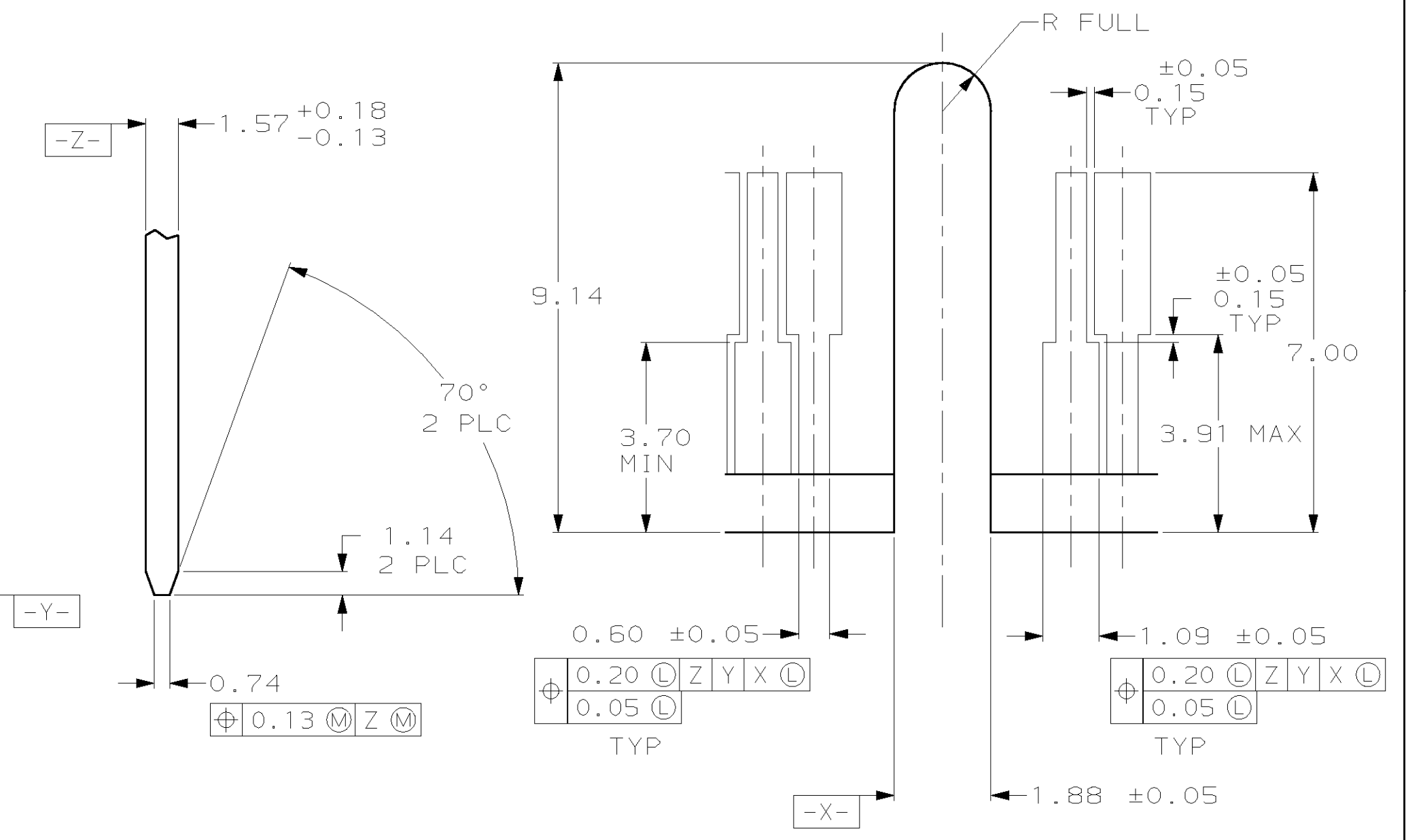
SCALE: 4:1 SHEET 1 OF 2 REV H



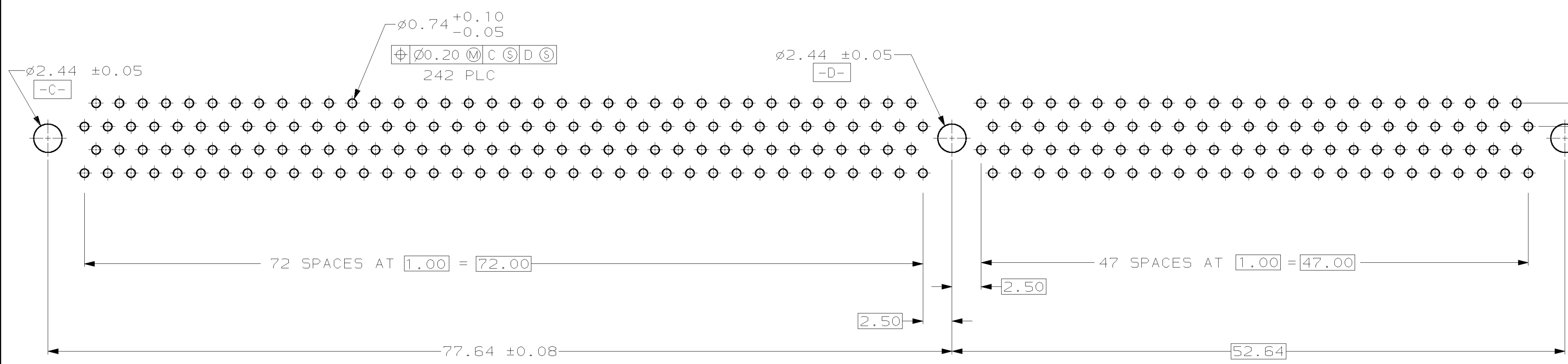
RECOMMENDED CONNECTOR MATING PAD PATTERN
(SECONDARY SIDE SHOWN)



RECOMMENDED CONNECTOR MATING PAD PATTERN
(PRIMARY SIDE SHOWN)



DETAIL D
SCALE 10:1



RECOMMENDED CONNECTOR MOUNTING HOLE PATTERN
(CONNECTOR SIDE SHOWN)

THIS DRAWING IS A CONTROLLED DOCUMENT.		DWN R BROWN 1/6/96	AMP Incorporated Harrisburg, PA 17105-3608
DIMENSIONS: mm		CHK M BOWERS 1/6/96	NAME
TOLERANCES UNLESS OTHERWISE SPECIFIED:		APPRO D SARVER 1/6/96	PRODUCT SPEC
0 PLC ±-	1 PLC ±-	2 PLC ±0.13	APPLICATION SPEC
3 PLC ±-	4 PLC ±-	ANGLES 30°	WEIGHT
MATERIAL	FINISH	SCALE 4:1	SHEET 2 OF 2
CUSTOMER DRAWING		REV H	